

Air Vent Head

for Fresh Water and Sea Water Tanks, Ballast and Fuel Oil Tanks and Lubricating Oil Tanks

AVH TYPE



Introduction

The model AVH, Air Vent Head is designed, manufactured and tested according to the IACS UR P3 standard and all major classification society requirements,

The model AVH is an important product that air in ballast tank is passed freely, And prevents the sinking of ship by seawater inflow.

The model AVH are made by casting and welding for greater lifetime and feature Compact dimensions, actually the smallest overall sizes available.

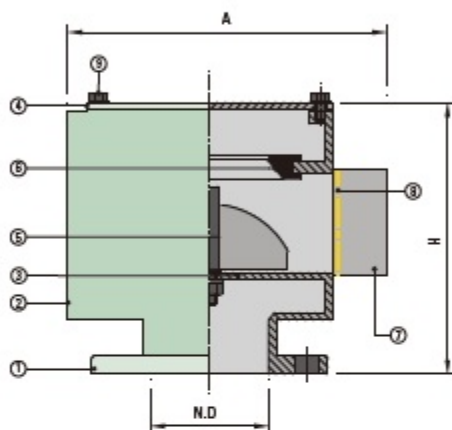
The model AVH is available in a high capacity execution suitable for offshore installation in ballast systems.

The testing result of momentary tightness of the disc shows excellent in the Worst condition (40° inclining).

Float disc has been devised not to occur crack and damage in repeated reciprocating motion.

Benefits

- Tested according to IACS UR P3.
- Easy maintenance
- Compact simple design
- Light weight
- Auto Closing
- No crack and damage of Float
- Seawater release function.
- Prevention of seawater inflow
- Approved by all major Classification



Dimension Table

Unit = mm

TYPE	AVH-2	AVH-3	AVH-4	AVH-5	AVH-6	AVH-8	AVH-10	AVH-12	AVH-14	AVH-16	AVH-18
SIZE	50A	80A	100A	125A	150A	200A	250A	300A	350A	400A	450A
N.D	50	80	100	125	150	200	250	300	350	400	450
A	184	226	267	292	330	406	463	564	612	673	731
H	151	193	230	255	298	380	409	523	567	608	665
W.T(kg)	10	15	21	29	37	57	75	104	138	164	206

* Available on request for flange connection size & standard.

Materials of Construction

No.	Description	Spec.1	Spec.2	Spec.3
1	Flange	Carbon Steel	Ductile Cast Iron	S.S 316L
2	Body	Carbon Steel	Ductile Cast Iron	S.S 316L
3	Chamber	Carbon Steel	Ductile Cast Iron	S.S 316L
4	Cover	Carbon Steel	Ductile Cast Iron	S.S 316L
5	Ball	S.S 316L	S.S 316L	S.S 316L
6	Gasket	NBR	NBR	NBR
7	Hood	S.S 316L	S.S 316L	S.S 316L
8	Screen	S.S 316L	S.S 316L	S.S 316L
9	Bolt / Nut	S.S 316L	S.S 316L	S.S 316L

* Available on request for other materials.